

Surround Installation Instructions

Tools Needed

- Drill
- 1/4" drill bit
- Phillips head screw driver
- Level
- Tape Measure
- Pencil
- Safety Gloves
- Safety Goggles

Provided Hardware

- Size 8 Screws
- Drywall Anchors
- Wall Bracket
- Wall Shims

Prepare Your Glassboard Surround

1. Follow uncrating instructions found on the exterior of your crate
2. Locate provided hardware

Installation

1. Measure the distance from the top of the board, to the bottom of each row of TruMount Clips (clip adhered to the Glassboard). Add 7/8" to that measurement, this is where you'll line up the bottom of the wall bracket.
2. Level wall brackets and mark hole locations with pencil
3. Drill pilot holes for drywall anchors
4. Install provided drywall anchors into pilot holes
5. Install wall bracket into drywall anchors with provided screws, placing shims behind wall bracket over each pilot hole [Fig. 1](#)
6. Ensure screws are flush to wall bracket to prevent scratching your Glassboard
7. Hang Glassboard ensuring the TruMount clip is secure to the wall bracket [Fig. 2](#)

Cleaning Instructions

Clarus recommends using glass cleaner to remove smudging, fingerprints, permanent marker and other debris from Glassboard. Do not use whiteboard cleaner as it may leave a filmy residue on the face of the Glassboard.

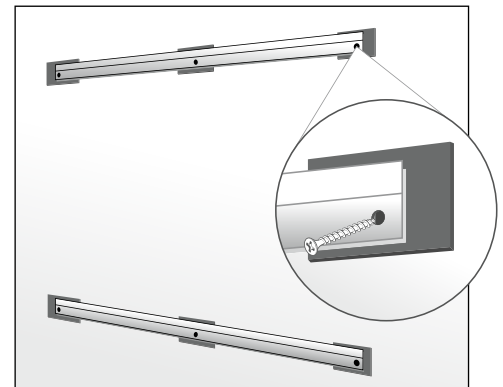


Fig. 1

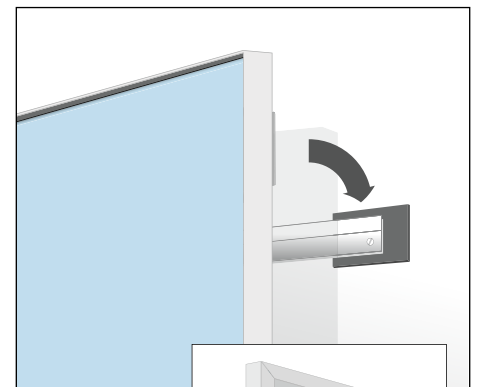


Fig. 2